

Flexy Compact Plate Dispenser Trolley, 2 cylinders - Ø180-250 mm, 2 tray sliders, h.900

ITEM # _____

MODEL # _____

NAME # _____

SIS # _____

AIA # _____


322128 (F33NAW)

 Plate Dispenser Trolley,
 double cylinder, tray slider
 on both sides, plate
 diameter 180-250 mm,
 H=900

Short Form Specification

Item No. _____

Neutral plate lowerator suitable to, transport and distribute plates. Two cylinders plate lowerator: each cylinder can accommodate up to 50 plates of 250 mm diameter. Unit has 4 swivel castors, two with brakes. Sturdy construction with laminated panelings on 4 sides. AISI 304 Tray slider in flush mounted stainless steel is installed on long sides and they can also be folded down to facilitate passage of the units through doorways.

Main Features

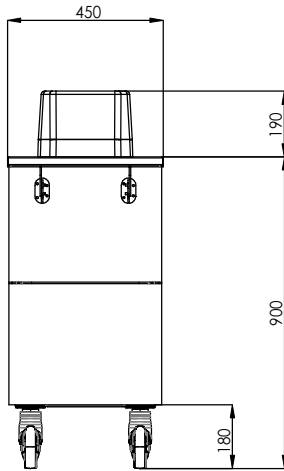
- CB and CE certified by a third party notified body.
- Sprung cylinders allow plates of different weights to be stacked.
- Perfect compact design makes it ideal for space saving environments.
- Two cylinders plate lowerator: each cylinder can accommodate up to 50 plates of 250 mm diameter.
- AISI 304 Tray slider in flush mounted stainless steel is installed on long sides and they can also be folded down to facilitate passage of the units through doorways.
- Ideal for servery lines without an operator.
- Neutral plate lowerator suitable to transport and distribute plates.

Construction

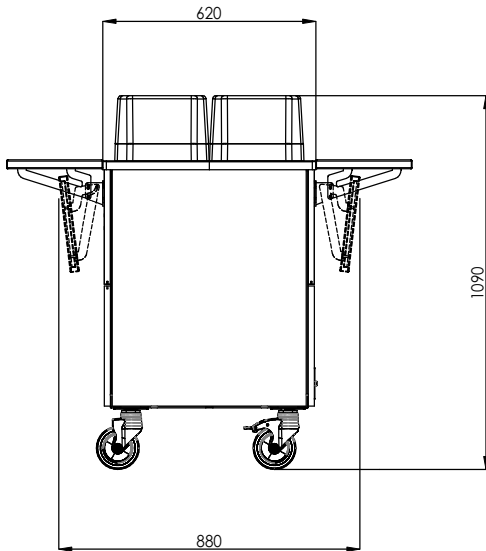
- Sturdy construction with laminated panelings on 4 sides.
- Unit has 4 swivel castors, 2 with brakes.

APPROVAL: _____

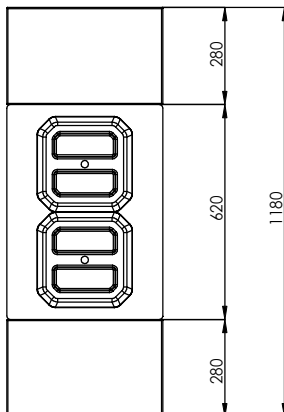
Front



Side



Top



Key Information:

External dimensions, Width:	
322128 (F33NAW)	1180 mm
External dimensions, Depth:	450 mm
External dimensions, Height:	1090 mm
Net weight:	47 kg
Wheel material:	
Wheel diameter:	